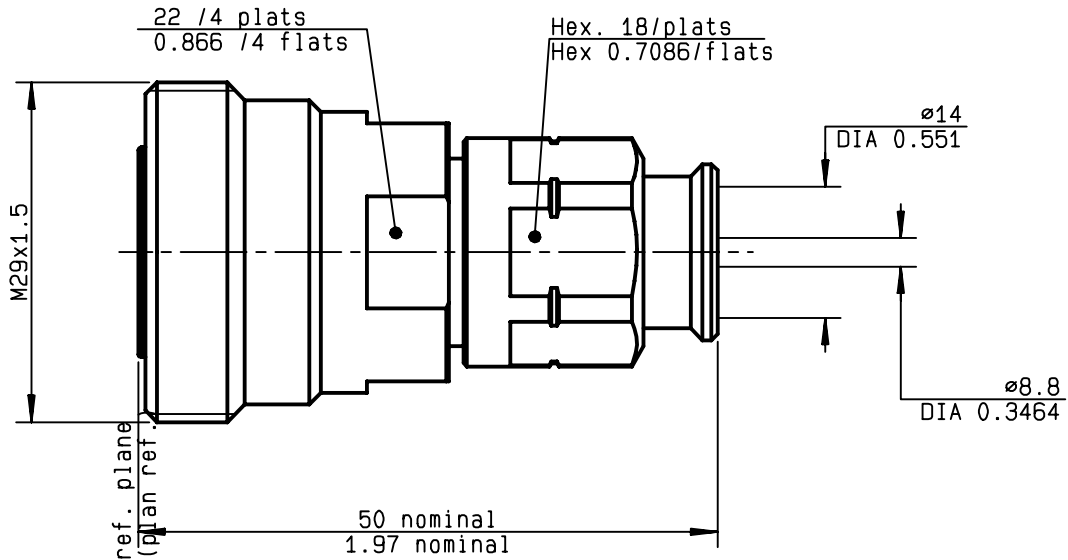


**STRAIGHT CABLE JACK CLAMP TYPE  
CABLE 1/2" HELICAL**

**R185.216.200**  
**SERIES 7-16**



NOMINAL IMPEDANCE	<b>50</b> Ω
FREQUENCY RANGE	<b>0-7.5</b> GHz
TEMPERATURE RATING	<b>-55/+155</b> °C
V.S.W.R	<b>1.20</b> + x F(GHz)Maxi
RF INSERTION LOSS	<b>0.05</b> √F(GHz) dB Maxi
VOLTAGE RATING	<b>1400</b> Veff Maxi
DIELECTRIC WITHSTANDING VOLTAGE	<b>2700</b> Veff Mini
INSULATION RESISTANCE	<b>10000</b> MΩMini
HERMETIC SEAL	<b>NA</b> Atm.cm <sup>3</sup> /s
LEAKAGE (pressurized only)	<b>IP 67</b>
MECHANICAL DURABILITY	<b>500</b> Cycles
WEIGHT	<b>93.3</b> gr
SPECIFICATION	

CABLES : **FSJ4RN-50B**  
**HCF1/2" Cu2Y50oA1Cu**  
**HCF1/2" CuH-50oA1Cu**

OTHERS CHARACTERISTICS

ROS	<b>1.10</b>	a 3 GHz
CABLE RETENTION	<b>350</b>	N Mini
CENTER CONTACT RETENTION		
Axial force - mating end	<b>200</b>	N Mini
Axial force - opposite end	<b>100</b>	N Mini
Torque	<b>2</b>	cm.N Mini
RECOMMENDED TORQUES		
Mating	<b>NA</b>	cm.N
Panel nut	<b>NA</b>	cm.N
Clamp nut	<b>950</b>	cm.N

CONNECTOR PARTS	MATERIALS	FINISH	(all values are given ) in micrometers
BODY	BRASS	BBR 0.5 OVER SILVER 3	
OUTER CONTACT	BRASS	SILVER 5 OVER COPPER 0.5	
CENTER CONTACT	BERYLLIUM COPPER	SILVER 5 OVER COPPER 0.5	
INSULATOR	PTFE	-	
GASKET	SILICONE RUBBER	-	
OTHERS PIECES	BRASS	BBR 2	

ISSUE	CREATION DATE	FILE PART-NUMBER
<b>9944A00</b>	<b>24/04/1999</b>	<b>EPC96-02</b>



**RADIALL**®

GUERIN

The information given here is subject to change without notice.  
Design changes may be in order to improve the product .

*Connect to the future*



**R185.216.200**

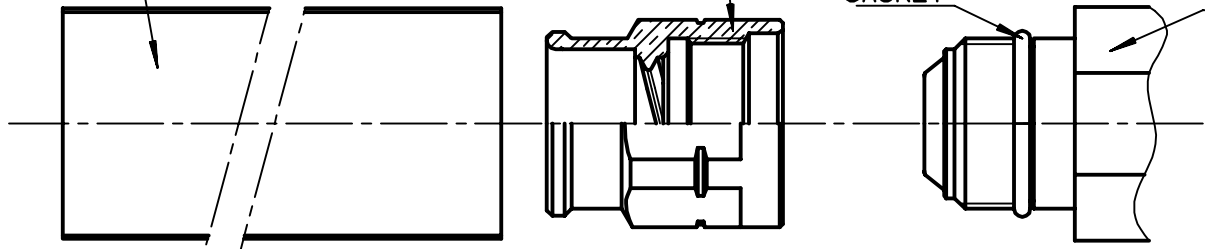
ISSUE **9944A00** SERIES **7-16**

HEATSHRINK SLEEVE

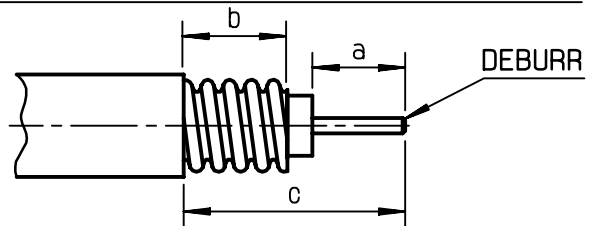
BRAID CLAMP NUT

GASKET

BODY

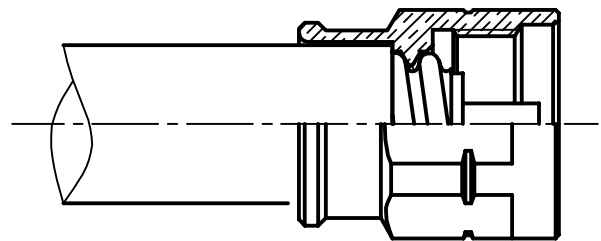


- ① - Strip the cable.  
Stripping tool R282.010.050  
- Do not damage the outer conductor.  
- Deburr cable inner conductor.

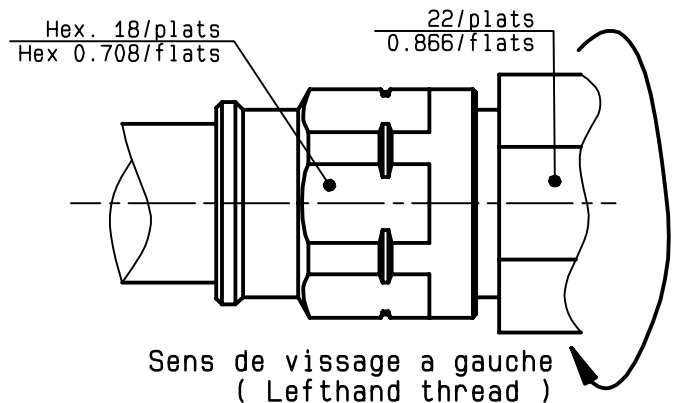


Stripping	a	b	c	d	e
inch	0.217	0.197	0.453	0	0
mm	5.5	5	11.5		

- ② - Slide the heatshrink sleeve onto the cable.  
- Screw manually the braid clamp nut onto cable outer conductor until stop.



- ③ - Screw the connector onto the assembly.  
**WARNING :** Screw the connector on the braid clamp nut turning left (lefthand thread) so that the copper outer conductor is being squeezed.  
Torque wrench R282.303.220  
Recommended coupling torque: 84.07 in.lb  
950 Ncm



- ④ - Shrink the heatshrink sleeve.

